

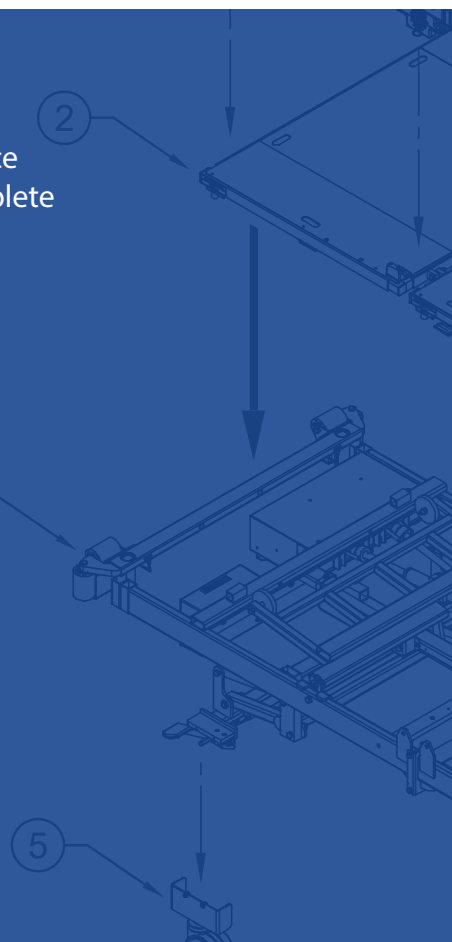
Evolution[®]

Quick Reference Guide

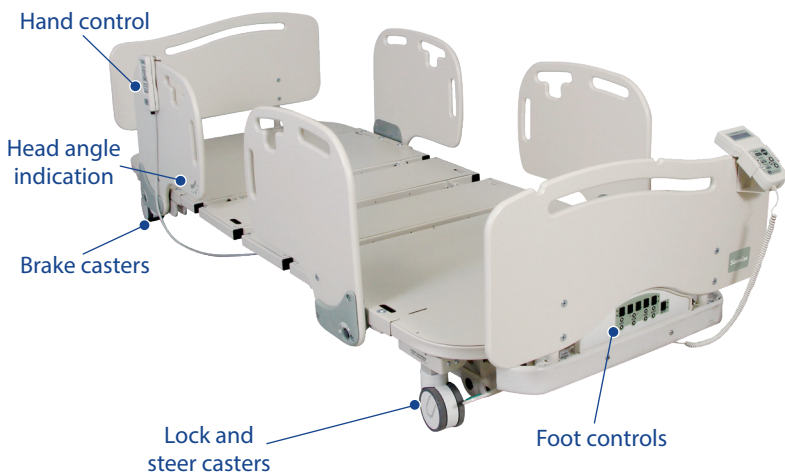


This card is not meant to replace product user manual. For complete manual, contact Sizewise.

800-814-9389
sizewise.com



Components



Side Rails



Installation and Removal: pull pin and pull rail away from frame.

To lower rail: push button and rotate away from center of bed.

Casters

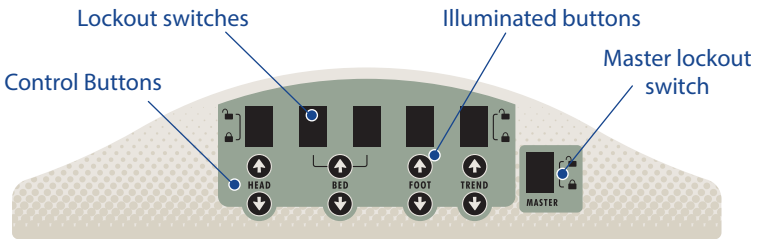
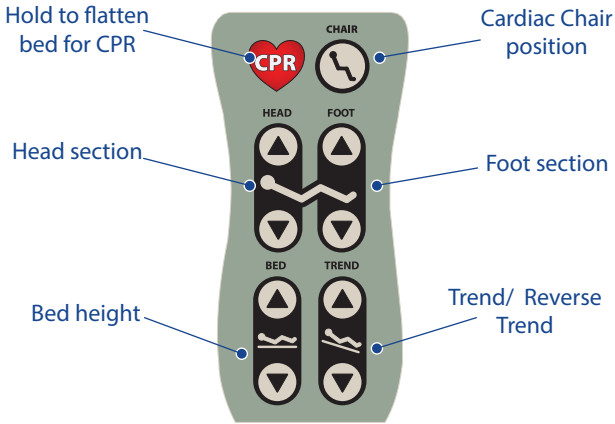


Front and Rear casters lock and swivel

— To LOCK, press the lever down

— To UNLOCK, raise the lever

Controls



Located at foot end of bed. Controls include individual lockout functions as well as master lockout switch.

Locking out specific or all functions will disable affected functions on both hand and foot control.

Battery Backup

This bed is equipped with an emergency battery backup that will charge when plugged into an AC outlet.

Troubleshooting

If bed fails to function:

1. Verify all functions on footboard control panel are unlocked
2. Verify master switch is unlocked
3. Verify power cord is plugged into working AC outlet and not cut, frayed, or damaged
4. Inspect patient hand control for damage and ensure it is properly connected

If individual function does not operate:

1. Verify all functions on footboard control panel are unlocked
2. Verify master switch is unlocked

If bed will not operate on battery power:

Verify patient hand control is properly connected

If bed continues to fail:

Contact Sizewise at 800-814-9389.

Code Situation

1. Unlock casters and pull bed from wall.
2. Engage brakes, remove headboard, and lower side rails for patient access
3. For LAL Support Surfaces: press CPR button or turn CPR dial on blower and/or open CPR valve at head of mattress if installed.
4. All beds: press and hold CPR button on hand control to flatten bed.
New beds: pull and hold CPR handle located between side rails (both sides of bed).
5. Proceed with facility protocols for resuscitation.

